

SAFETY & WARNINGS

1. Install in accordance with national and local electrical code regulations.
2. This product is intended to be installed and serviced by a qualified, licensed electrician.
3. Do not modify or disassemble this product beyond instructions or the warranty will be void.
4. Do not submerge, or install within 5 feet of a swimming pool.
5. Failure to follow safety warnings, and installation instructions will void the warranty for this product.



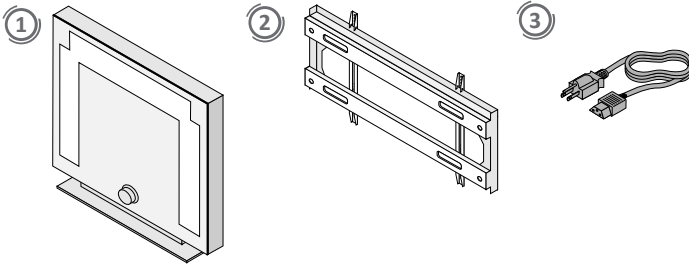
QUICK SPECS / MODELS

SKU	DI-120V-ENV-MIR
Input	120V-277VAC 60HZ
Wattage	70 Watts
Dimensions	32.25 in. x 31 in. x 8 in. (W x H x D)

ENVI-LIGHT® Color Tunable Mirror

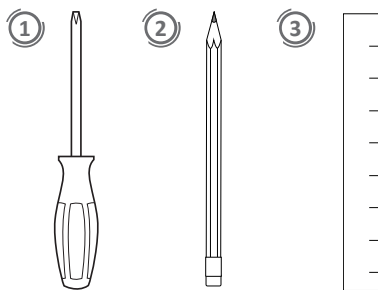
INSTALLATION GUIDE

REQUIRED COMPONENTS



1. ENVI-LIGHT® Color Tunable Mirror
2. Wall Mount
3. AC Power Cable

REQUIRED TOOLS



1. Phillips-head Screwdriver
2. Pencil
3. Ruler

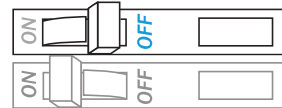
INSTALLATION

1. **TURN POWER OFF AT CIRCUIT BREAKER**



SHOCK HAZARD! May result in serious injury or death.

Turn power OFF at circuit breaker prior to installation.



Prior to mounting, turn on power and test connection to ensure system is operating properly. Turn off power again before mounting.

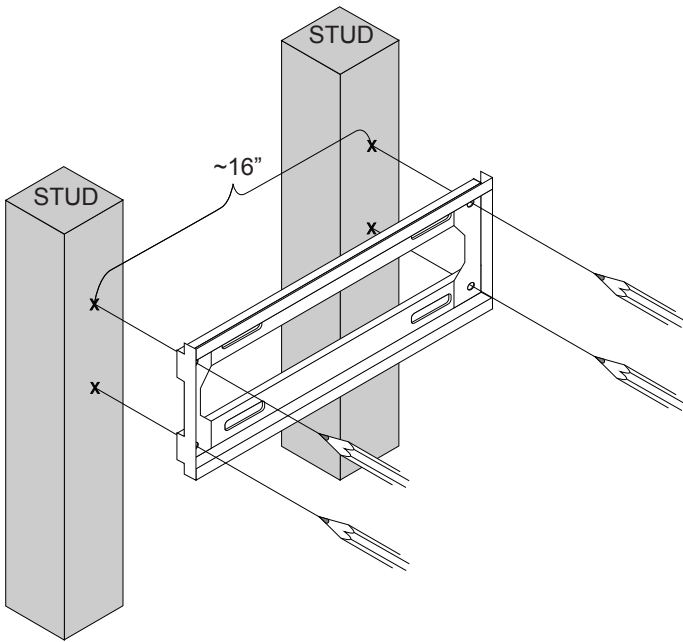
ENVI-LIGHT® Color Tunable Mirror

INSTALLATION GUIDE

INSTALLATION (CONT.)

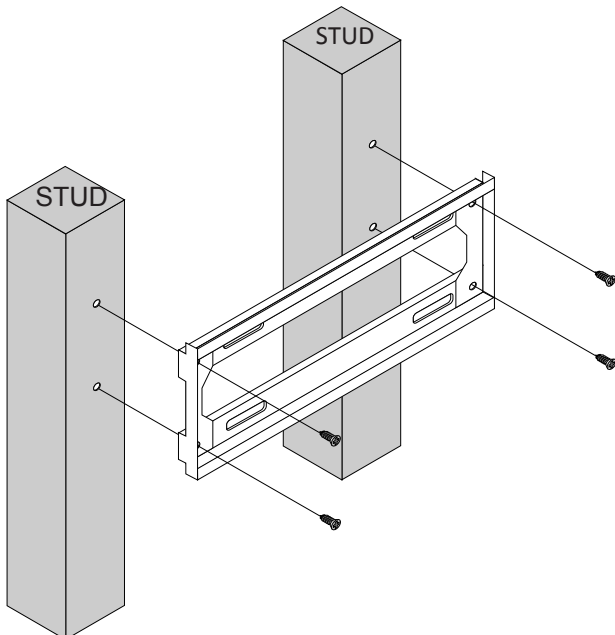
2 MARK WALL MOUNT ON SURFACE

Locating two studs, mark drilling points for screw mounts.



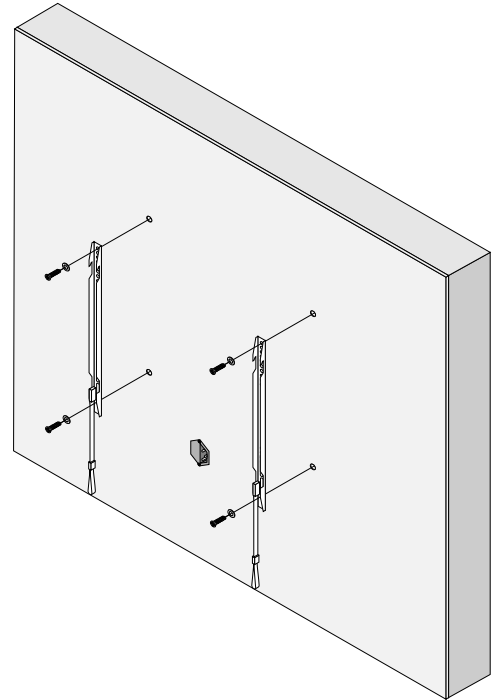
3 SCREW WALL PLATE TO SURFACE

Using included mounting screws, fasten wall plate to surface.

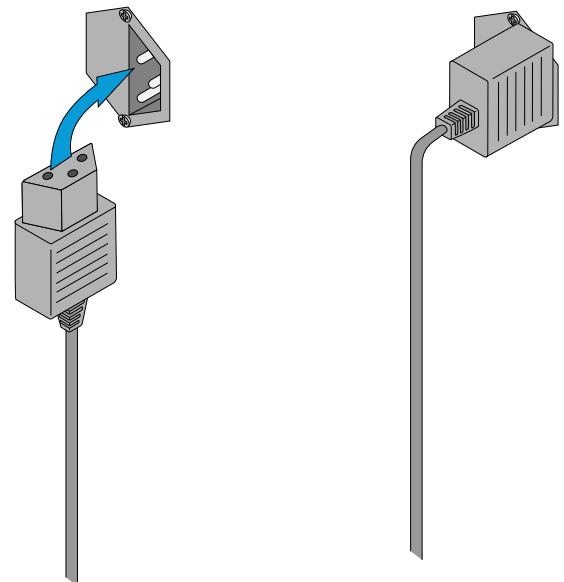


4 ATTACH BRACKETS TO BACK OF ENVI-LIGHT®

Using included screws, fasten brackets to back of ENVI-LIGHT®.



5 INSERT POWER CABLE INTO BACK OF ENVI-LIGHT®



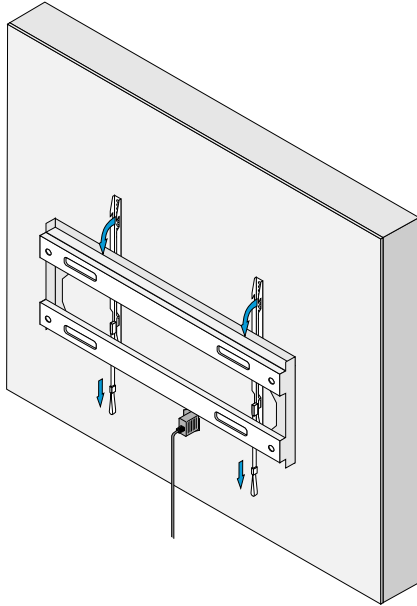
ENVI-LIGHT® Color Tunable Mirror

INSTALLATION GUIDE

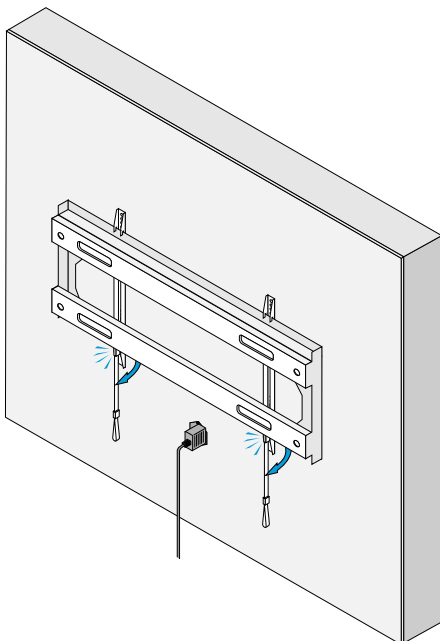
INSTALLATION (CONT.)

6 MOUNT ENVI-LIGHT® TO WALL PLATE

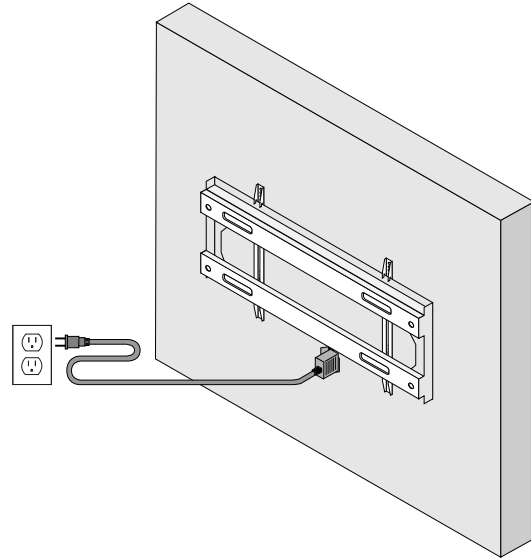
- a) While pulling bracket straps down, place back of ENVI-LIGHT® onto wall plate using hooks.



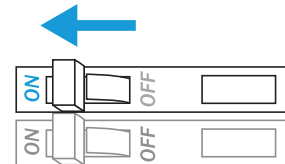
- b) Place bottom of ENVI-LIGHT® brackets into wall plate, then release straps allowing bracket to snap into place.



7 PLUG ENVI-LIGHT® INTO WALL OUTLET



8 TURN POWER ON AT CIRCUIT BREAKER



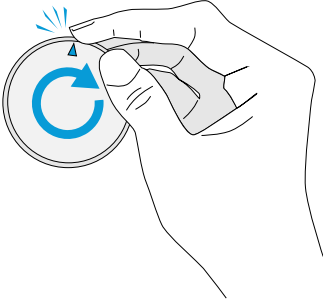
ENVI-LIGHT[®] Color Tunable Mirror

INSTALLATION GUIDE

OPERATION

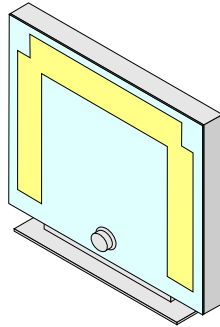
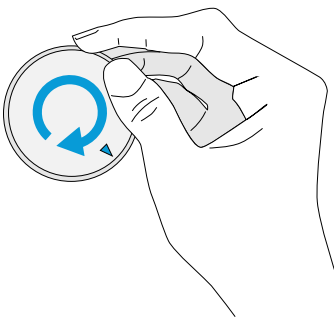
1 TURN ON ENVI-LIGHT[®] AND ADJUST COLOR TEMPERATURE

Turn dial clockwise until it clicks, and the fixture illuminates.

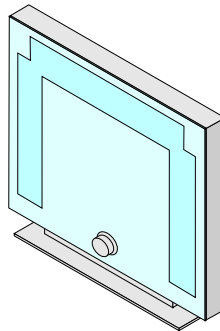
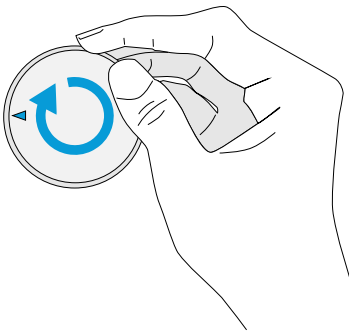


The further you turn the dial, the higher (ie. cooler) the Color Temperature will be.

a WARM WHITE



b COOL WHITE



TROUBLESHOOTING

SYSTEM WORKING IMPROPERLY?

Turn power OFF at circuit breaker and verify all connections. Review SYSTEM DIAGRAMS and TROUBLESHOOTING or call Diode LED Technical Support at 877.817.6028.

Symptom	Common Cause
Fixture does not illuminate	<ul style="list-style-type: none">• Circuit breaker is OFF or tripped.

ADDITIONAL RESOURCES

Visit the on-line product page at www.DiodeLED.com for full product specifications, installation guides, and warranty information.

ENVI-LIGHT[®] COLOR TUNABLE MIRROR SPECIFICATION SHEET

For full product specifications and warranty information.



Toll Free: 877.817.6028 | Fax: 415.592.1596 | www.DiodeLED.com | info@DiodeLED.com
© 2015 Elemental LED Inc. All rights reserved. Specifications are subject to change without notice.